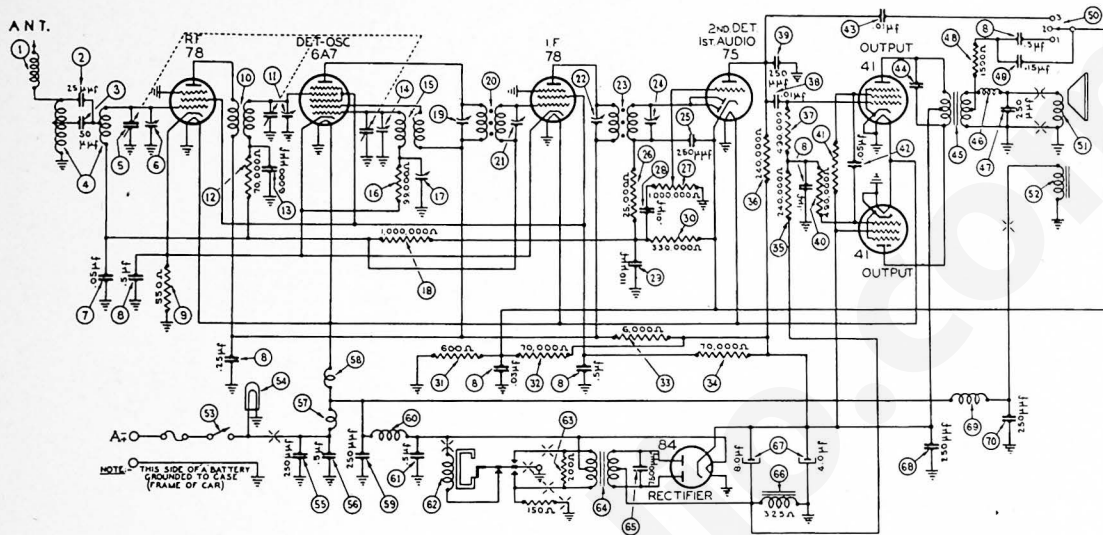


MODEL G-1528

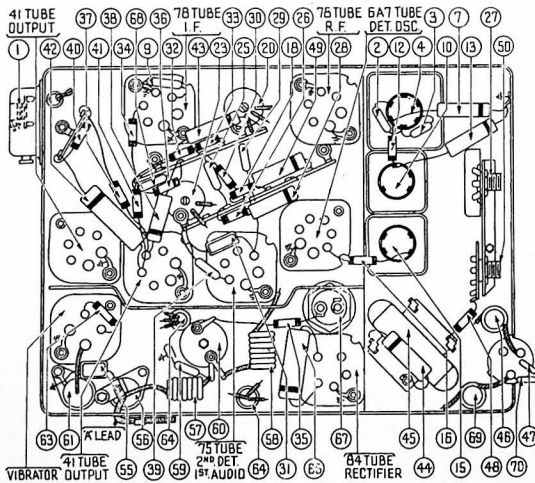


IF.=260KC

Aligning Procedure will be found on page 168.

MODEL G-1528 PARTS LIST

No.	Description	Part No.	No.	Description	Part No.
1	Antenna Choke	32-2063	49	Condenser (250 mmfd.)	30-1032
2	Condens. (25 mfd.)	30-1067	50	Resistor (490,000 ohms)	33-419344
3	Condenser (50 mmfd.)	30-1029	51	Resistor (3,500 ohms)	33-235314
4	Antenna Transformer	32-2936	52	Condenser (.05 mfd.)	30-4454
5	Tuning Condenser	31-2161	53	Condenser (.01 mfd.)	30-4501
6	First Padder (on Tun. Cond.)	30-4441	54	Condenser (1000 mmfd.)	30-1135
7	Condenser (.05 mfd.)	30-4454	55	Output Transformer	32-2928
8	Condenser (.03-1-25-.5-.5 mfd.)	30-4554	56	Choke	32-1374
9	Resistor (550 ohms)	33-155331	57	Condenser (250 mmfd.)	30-1032
10	R. F. Transformer	32-2830	58	Resistor (1,500 ohms)	33-215344
11	Second Padder (on Tun. Cond.)	32-2830	59	Condenser (.15 mfd.)	30-4191
12	Resistor (70,000 ohms)	33-370344	60	Tone Control Switch	42-1389
13	Condenser (6,000 mmfd.)	30-4467	61	Cone and Voice Coil	45-2608
14	Third Padder (on Tun. Cond.)	32-2828	62	Field Coil	32-9263
15	Oscillator Transformer	32-2828	63	On and Off Switch	42-5617-3
16	Padder (Sec. 1st I. F. Trans.)	33-309344	64	Pilot Lamp	34-2039
17	Padder (Pri. 2nd I. F. Trans.)	31-6230	65	Condenser (250 mmfd.)	30-1032
18	Resistor (1,000,000 ohms)	33-510344	66	Condenser (.5 mfd.)	30-4474
19	Padder (Pri. 1st I. F. Trans.)	32-2791	67	"A" Choke	32-1374
20	Padder (Sec. 2nd I. F. Trans.)	32-2793	68	Filament Choke	32-2729
21	Condenser (250 mmfd.)	30-1032	69	Condenser (250 mmfd.)	30-1032
22	Resistor (25,000 ohms)	33-325344	70	Vibrator Choke	32-2812
23	Volume Control (1,000,000 ohms)	33-5245	71	Condenser (.5 mfd.)	30-4474
24	Condenser (.01 mfd.)	30-4479	72	Vibrator	41-3170-3
25	Condenser (.110 mmfd.)	30-1031	73	Resistor (200 ohms)	33-120344
26	Resistor (830,000 ohms)	33-433344	74	Power Transformer	32-7911
27	Resistor (600 ohms)	33-160331	75	Condenser (7,500 mmfd.)	30-4429
28	Resistor (70,000 ohms)	33-370344	76	Filter Choke	32-7010
29	Resistor (6,000 ohms)	33-260344	77	Filter Condenser (4-8 mfd.)	30-2258
30	Resistor (70,000 ohms)	33-370344	78	Condenser (250 mmfd.)	30-1032
31	Resistor (240,000 ohms)	33-423344	79	Choke	32-2857
32	Resistor (240,000 ohms)	33-423344	80	Condenser (250 mmfd.)	30-1032
33	Resistor (490,000 ohms)	33-449344	81	Receiver Housing	38-1179
34	Condenser (.01 mfd.)	30-4514	82	Four Prong Socket	27-6044
35			83	Five Prong Socket	27-6035
36			84	Six Prong Socket	27-6036
37			85	Seven Prong Socket	27-6037
38			86	Inductive Suppressor	32-2250
39			87	Interference Condenser	30-4107
40			88	Fuse	7227



No.	Description	Part No.	No.	Description	Part No.
89	Fuse Insulator	27-7729	90	Speaker Cable	30-4034
91	Tuning Control Shaft	28-8813	91	Speaker Mtg. Plate	38-9463
92	Volume Control Shaft	28-8804	92	Tuning & Volume Knob	27-4705
93	Tone Control Shaft	28-8798	93	Tone Knob	28-7212
94	Scale Assembly	42-5829	94	Knob Base	28-4184